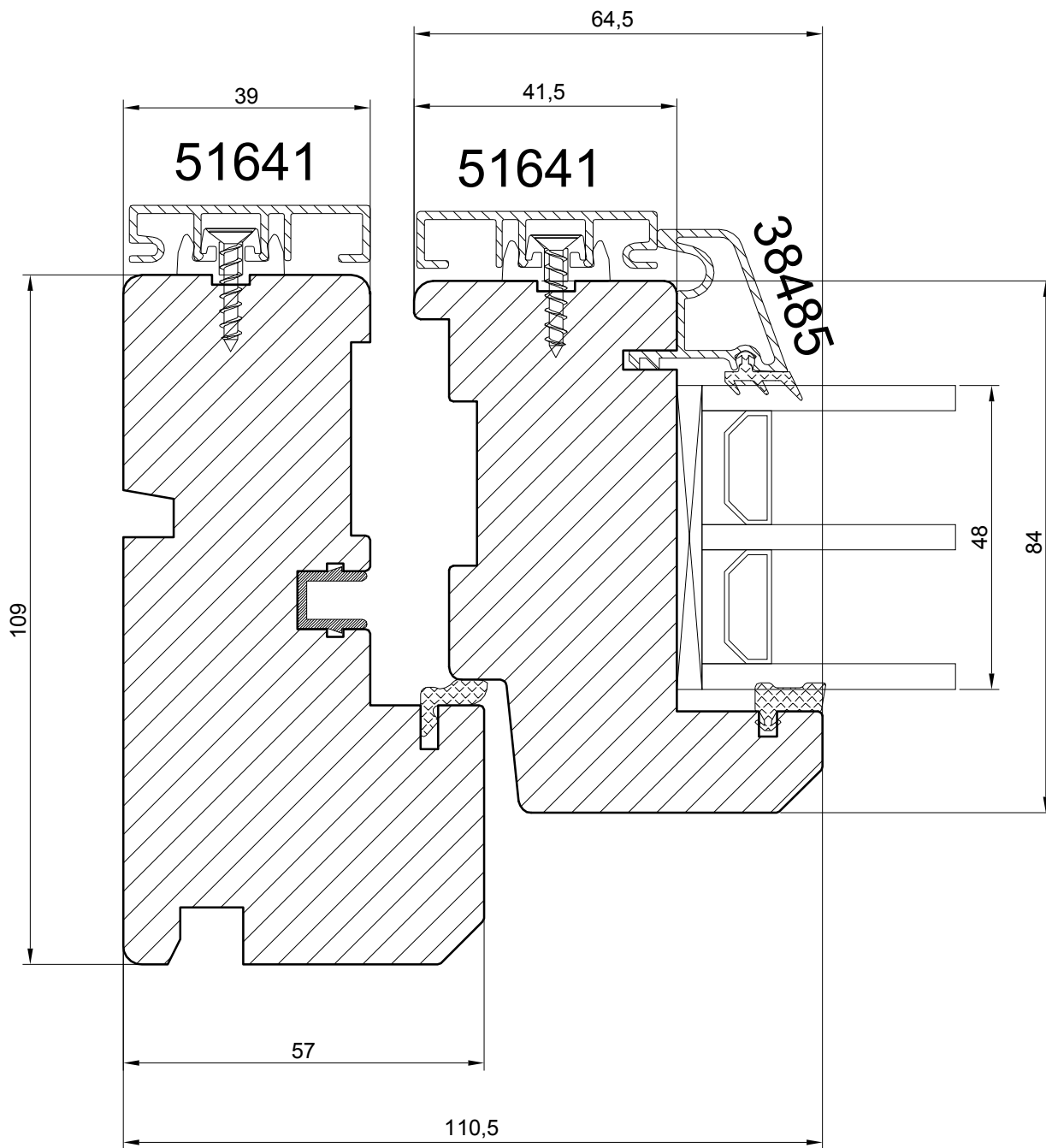


FULLY REVERSIBLE PASSIVE WINDOW (OPUS HINGES) with ALU CLAD

NORWOOD SP.ZO.O.

Ul. Rataja 6, Rusocin
83-031 Łęgowo
+48 692 22 00
biuro@norwood.pl

<i>Description</i>		HTSOPA N109 FULLY REVERSIBLE WINDOW HEAD SECTION (48 mm glass)			
<i>Revis.</i>	<i>Date</i>	<i>Size</i>	<i>Drw.</i>	<i>Date</i>	
		1:1		02.01.2018	
<i>Verif.</i>	<i>Date</i>	<i>Drawing no.</i>			
		HTSOPA - 48 - he - 01			



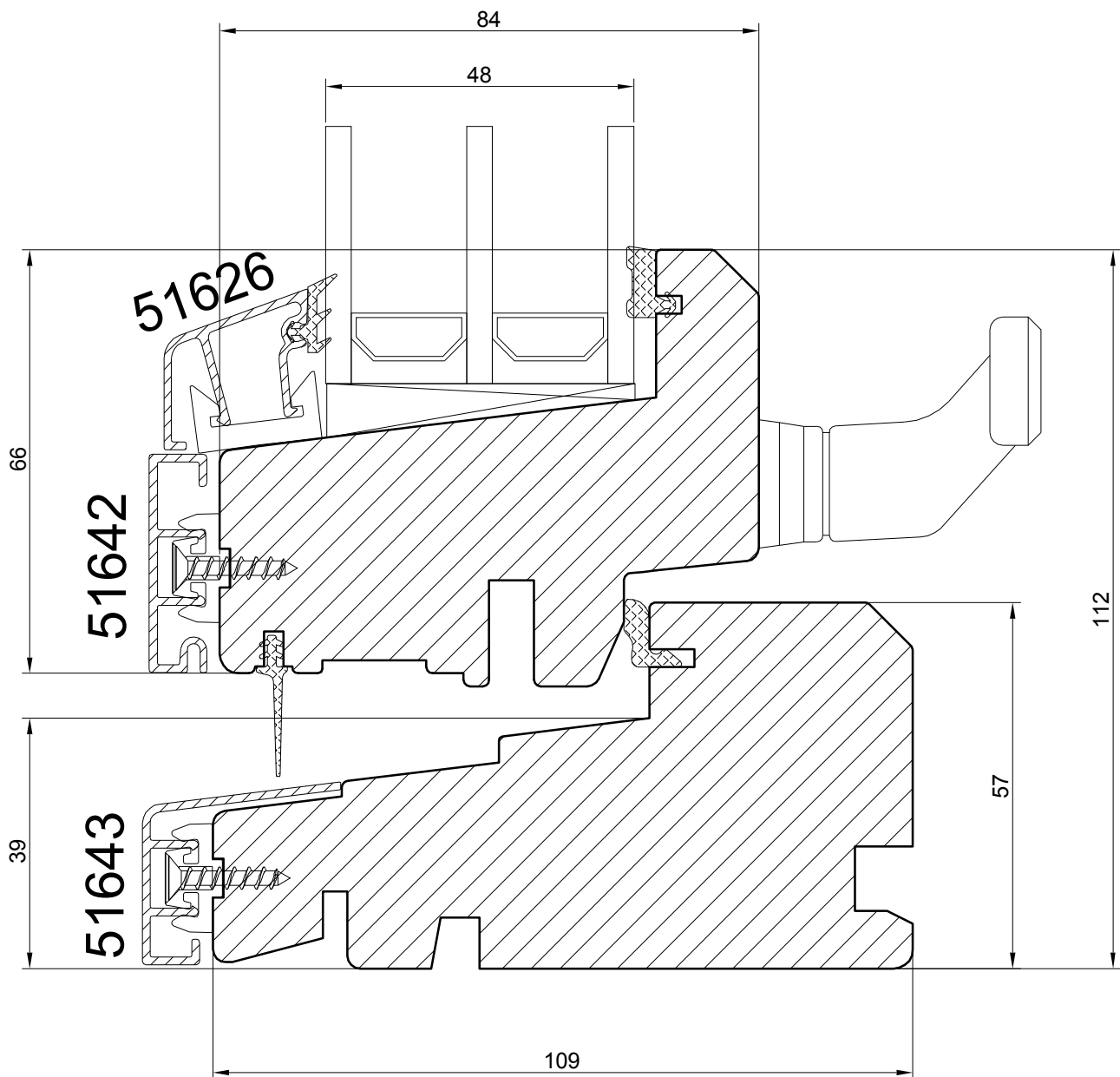
FULLY REVERSIBLE PASSIVE WINDOW (OPUS HINGES) with ALU CLAD

NORWOOD SP.ZO.O.

Ul. Rataja 6, Rusocin
83-031 Łęgowo
+48 692 22 00
biuro@norwood.pl

Description **HTSOPA N109 FULLY REVERSIBLE WINDOW
JAMB SECTION (48 mm glass)**

Revis.	Date	Size	1:1	Drw.	Date	02.01.2018
Verif.	Date	Drawing no.		HTSOPA - 48 - se - 01		



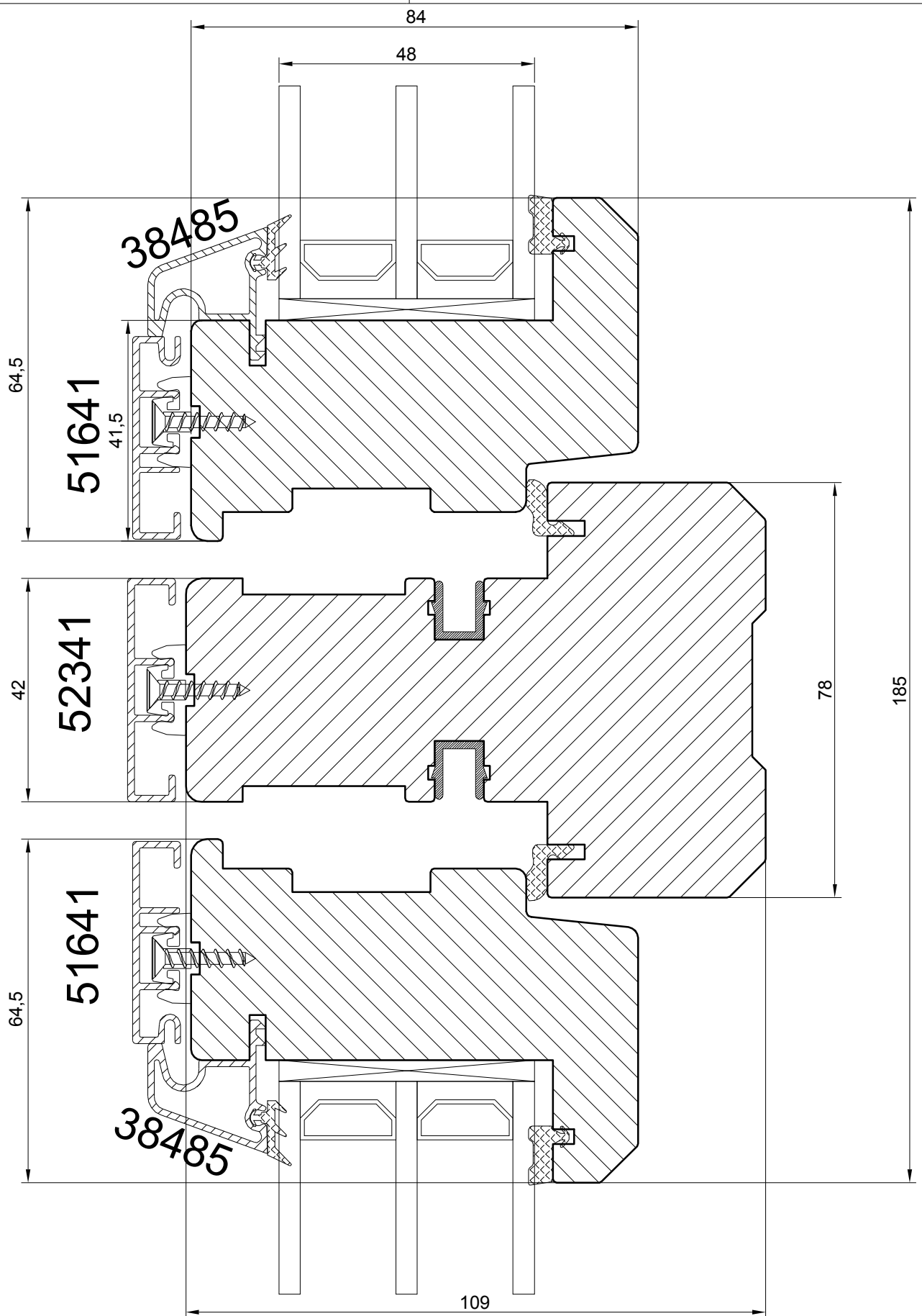
FULLY REVERSIBLE PASSIVE WINDOW (OPUS HINGES) with ALU CLAD

NORWOOD SP.ZO.O.

Ul. Rataja 6, Rusocin
83-031 Łęgowo
+48 692 22 00
biuro@norwood.pl

Description **HTSOPA N109 FULLY REVERSIBLE WINDOW
SILL SECTION (48 mm glass)**

Revis.	Date	Size	1:1	Drw.	Date	02.01.2018
Verif.	Date	Drawing no.	HTSOPA - 48 - sl - 01			

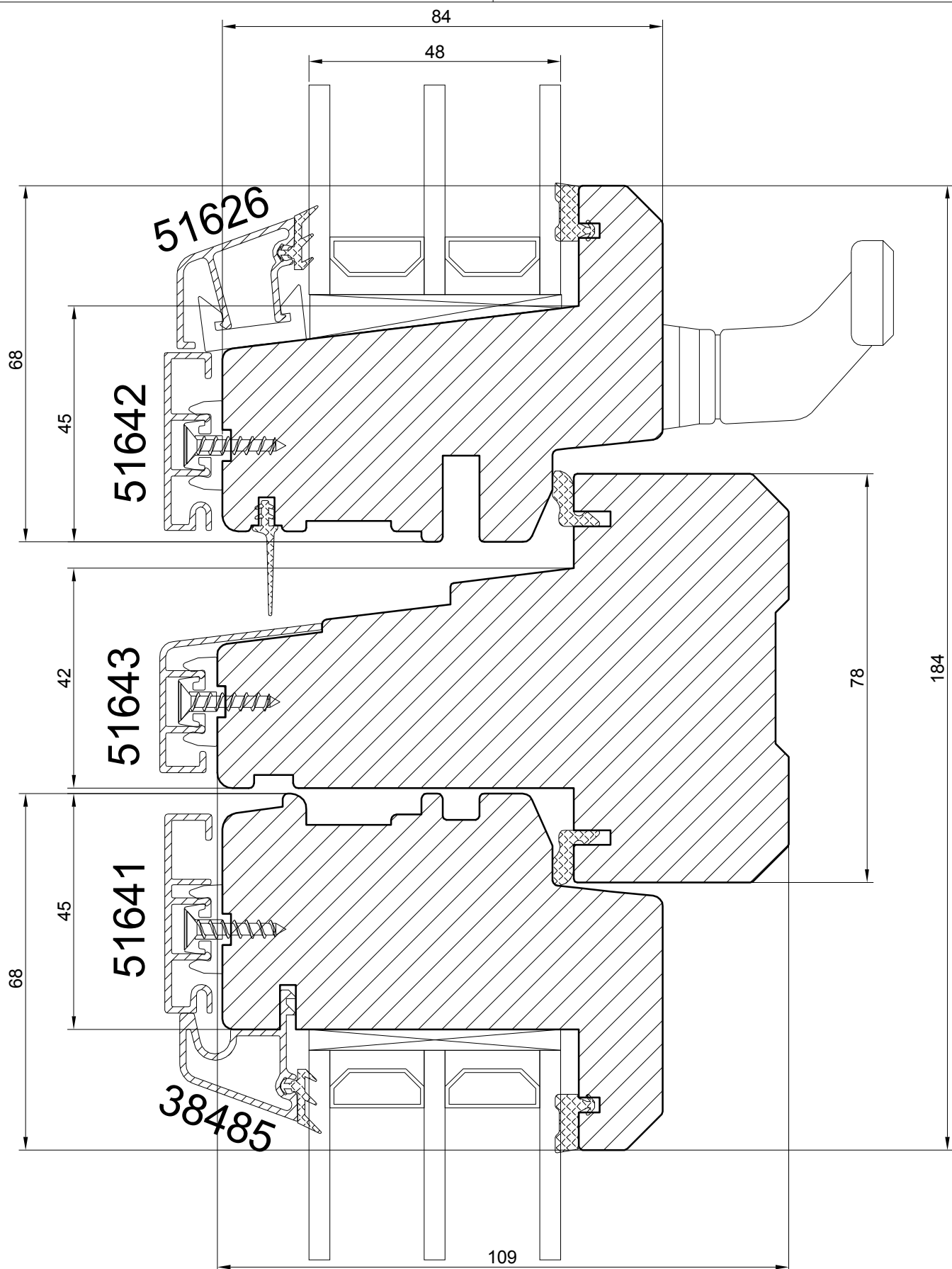


FULLY REVERSIBLE PASSIVE WINDOW (OPUS HINGES) with ALU CLAD

NORWOOD SP.ZO.O.

Ul. Rataja 6, Rusocin
83-031 Łęgowo
+48 692 22 00
biuro@norwood.pl

Description		HTSOPA N109 FULLY REVERSIBLE WINDOW MULLION (48 mm glass)			
Revis.	Date	Size	1:1	Drw.	Date
Verif.	Date	Drawing no. HTSOPA - 48 - ml - 01			



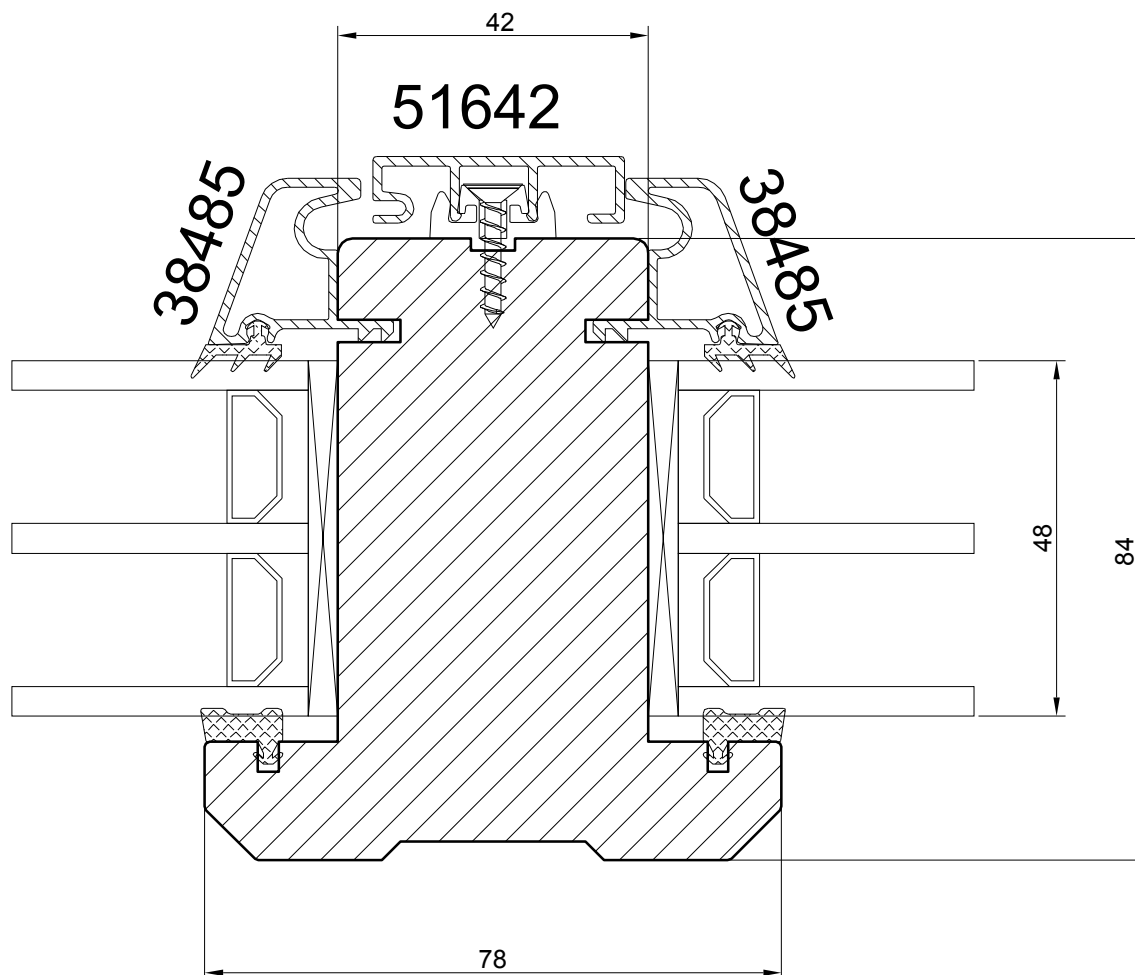
FULLY REVERSIBLE PASSIVE WINDOW (OPUS HINGES) with ALU CLAD

NORWOOD SP.ZO.O.

Ul. Rataja 6, Rusocin
 83-031 Łęgowo
 +48 692 22 00
 biuro@norwood.pl

Description **HTSOPA N109 FULLY REVERSIBLE WINDOW
 TRANSOM (48 mm glass)**

Revis.	Date	Size	1:1	Drw.	Date	02.01.2018
Verif.	Date	Drawing no.	HTSOPA - 48 - ts - 01			



FULLY REVERSIBLE PASSIVE WINDOW (OPUS HINGES) with ALU CLAD

NORWOOD SP.ZO.O.

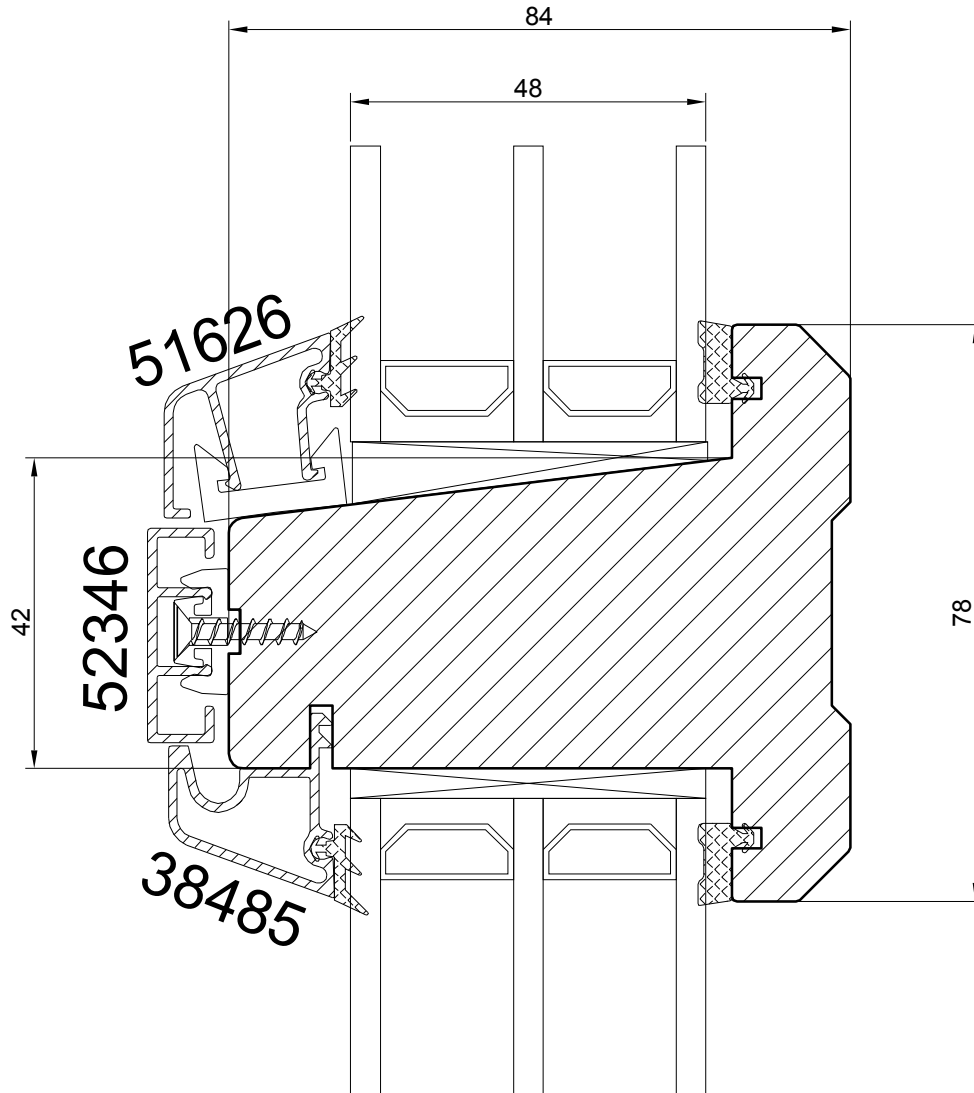
Ul. Rataja 6, Rusocin
83-031 Łęgowo
+48 692 22 00
biuro@norwood.pl

Description **HTSOPA N109 FULLY REVERSIBLE WINDOW**

VERTICAL BAR (48 mm glass)

<i>Revis.</i>	<i>Date</i>	<i>Size</i> 1 : 1	<i>Drw.</i>	<i>Date</i> 02.01.2018
---------------	-------------	--------------------------	-------------	-------------------------------

<i>Verif.</i>	<i>Date</i>	<i>Drawing no.</i> HTSOPA - 48 - vs78 - 01
---------------	-------------	---



FULLY REVERSIBLE PASSIVE WINDOW (OPUS HINGES) with ALU CLAD

NORWOOD SP.ZO.O.

Ul. Rataja 6, Rusocin
83-031 Łęgowo
+48 692 22 00
biuro@norwood.pl

<i>Description</i>		HTSOPA N109 FULLY REVERSIBLE WINDOW			
		HORIZONTAL BAR (48 mm glass)			
<i>Revis.</i>	<i>Date</i>	<i>Size</i>	<i>Drw.</i>	<i>Date</i>	
		1:1		02.01.2018	
<i>Verif.</i>	<i>Date</i>	<i>Drawing no.</i>			
		HTSOPA - 48 - hs78 - 01			