

GARAGE AND BASEMENT WINDOWS



-
- > Part of a technically advanced suite of windows & doors
 - > Timber and AluClad variants
 - > Available in full range of RAL colours
-

Basement Window

The Norwood basement window is a top hung double-glazed window used in this specific application. It opens out using a butt hinge and 'wire' stay arrangement. It offers the same slim sightlines as all the other Norwood Window products and is manufactured from the same high quality reliably sourced timber. It can be provided in single colour or dual colour options to meet customer demands.

Garage Window

The Norwood garage window is by design a lower thermally performing product, supplied singled glazed and as a fixed light. It offers the same slim sightlines as all the other Norwood Window products and is manufactured from the same high quality reliably sourced timber. It can be provided in single colour or dual colour options to meet customer demands.

TECHNICAL DESCRIPTION

FRAME DIMENSIONS

The system has an 80 mm back to front frame section.

TIMBER

All windows and doors are manufactured from engineered FSC certified softwood timber, which is laminated & finger jointed to provide the highest consistency of quality and stability to our finished frames.

PAINT & PRESERVATIVE

Using Teknos water based coating systems Norwood timber windows can be supplied in any NCS or RAL colour including dual colour. All timber is treated with Teknos timber preservative to provide protection against wood destroying and wood discolouring fungi, and satisfies the performance requirements of EN599-1.

COLOUR OPTIONS

The standard product colour is white (NCS S 0502Y) and windows are also available in most recognised RAL or NCS colours including metallics.

GLAZING OPTIONS AND PERFORMANCE

Garage Windows are only available with 4 mm single glazing and without a thermal coating. Basement Windows are available with 20 mm double glazing in the full range options.

Windows are supplied pre-glazed* from the factory to guarantee the highest quality and provide optimum technical performance.

*for health & safety reasons very large frames may be supplied unglazed for glazing on site after installation.

CILLS, COUPLERS, GLAZING BARS AND ANCILLARIES

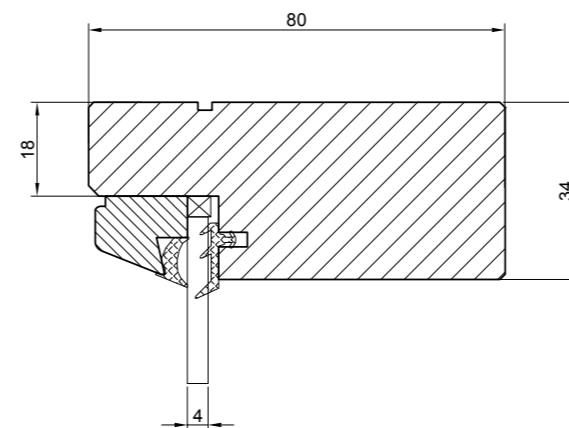
A large range of cills, couplers, glazing bars and ancillary profiles are available - see separate datasheets for information.

MARKET SECTOR PRODUCT SUITABILITY

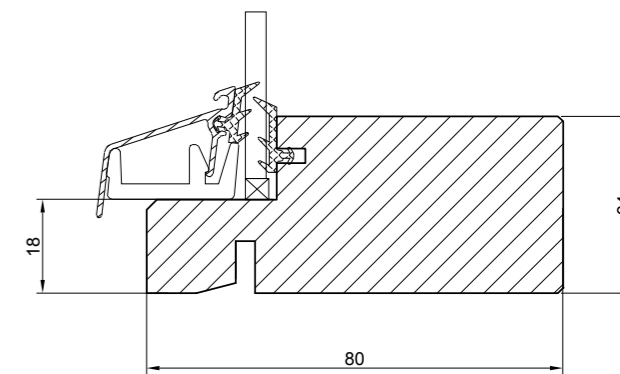
Norwood window and door systems are designed to provide outstanding solutions for the following market sectors:

- Offsite Construction
- Commercial Installations
- Home Improvement and Self Build Installations
- New-build Construction

GARAGE WINDOW

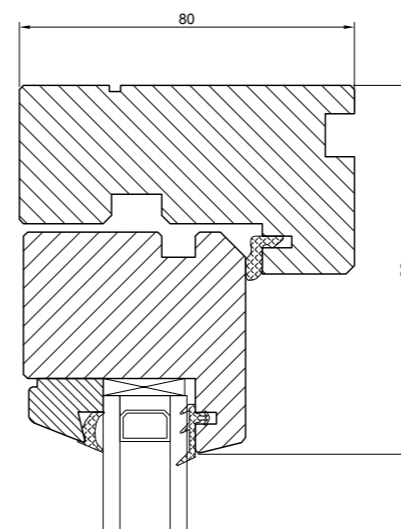


Head view

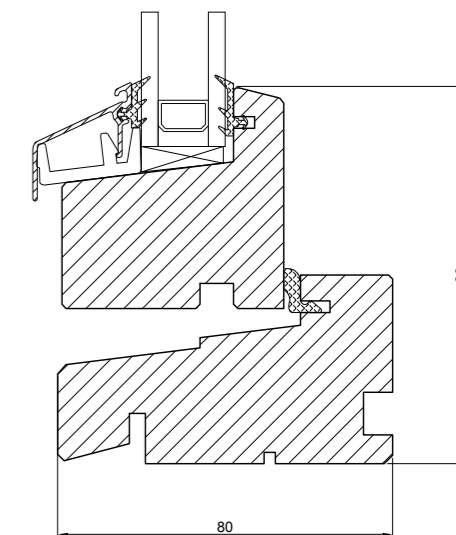


Bottom rail

BASEMENT WINDOW



Head view



Bottom rail

Norwood Windows

Tel - 01573 221 125

Email - sales@norwood-windows.co.uk



www.norwood-windows.co.uk