

## BALCONY DOOR



- 
- > Part of a technically advanced suite of windows & doors
  - > Timber and AluClad variants
  - > Available in full range of RAL colours
-

The Norwood Balcony Door system is available as a single or double door arrangement with both inward and outward opening versions. The system includes a range of threshold options to enable project architects to design site specific detail, and doors can be supplied with separate side and top light arrangements to meet project requirements and site logistics.

Doors can be part or fully glazed and there is a PAS24 and Secured By Design option available with single outward opening versions.



Standard **1.2** U-value Options **1.0** **0.8** U-value

## TECHNICAL DESCRIPTION

### FRAME DIMENSIONS

The balcony door system has 95 mm and 109 mm back to front frame options. The system is designed to carry a range of glazing depths starting at 24 mm double glazing up to 48 mm triple glazed units in our Passive version. The AluClad version increases the overall back to front dimension by 11 mm.

### TIMBER

All windows and doors are manufactured from engineered FSC certified softwood timber, which is laminated & finger jointed to provide the highest consistency of quality and stability to our finished frames. A non-finger jointed option is available at extra cost if required.

On request, we can produce frames in Oak or Accoya, including softwood/hardwood combination frames.

### ALUCLAD

The AluClad variants, which are available in the full range of RAL colours, create an external 'weather shield' for the timber providing a highly durable external finish which is easy to maintain and modern in appearance. This provides a best of both worlds option for customers wanting the natural appearance and warmth of timber internally, and a sleek, robust, low maintenance finish externally.

### PAINT & PRESERVATIVE

Using Teknos water based coating systems Norwood timber windows & doors can be supplied in any RAL or NCS colour, including dual colour. All timber is dipped or sprayed with Teknos timber preservative to provide protection against wood destroying and wood discolouring fungi which satisfies the performance requirements of EN 599-1.

### COLOUR OPTIONS

The standard product colour of windows and doors in both timber and AluClad variants is white (RAL 9010 or NCS S 0502Y) but all products are available in the full range of RAL or NCS colours.

### GLAZING OPTIONS AND PERFORMANCE

All Norwood windows and doors can be supplied with double or triple glazing and can achieve a maximum u-value performance of 0.8 W/m<sup>2</sup>K to meet the most demanding thermal standards including Passive.

Glazing options include toughened safety, laminated, acoustic and solar control to meet most projects requirements. Acoustic performance to 44db and g-values to 0.23 are achievable.

Frames are supplied pre-glazed from the factory to guarantee the highest quality and provide optimum technical performance though for health & safety reasons very large frames may be supplied unglazed for glazing on site after installation.

### HARDWARE & SECURITY

All outward opening Balcony Doors are fitted with a blow back restrictor as standard to protect the hinges.

### CILLS, COUPLERS, GLAZING BARS AND ANCILLARIES

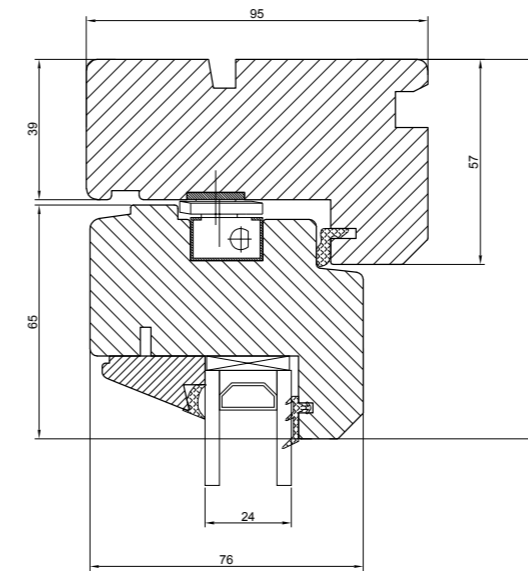
A large range of cills, couplers, glazing bars and ancillary profiles are available - see separate datasheets for information.

### MARKET SECTOR PRODUCT SUITABILITY

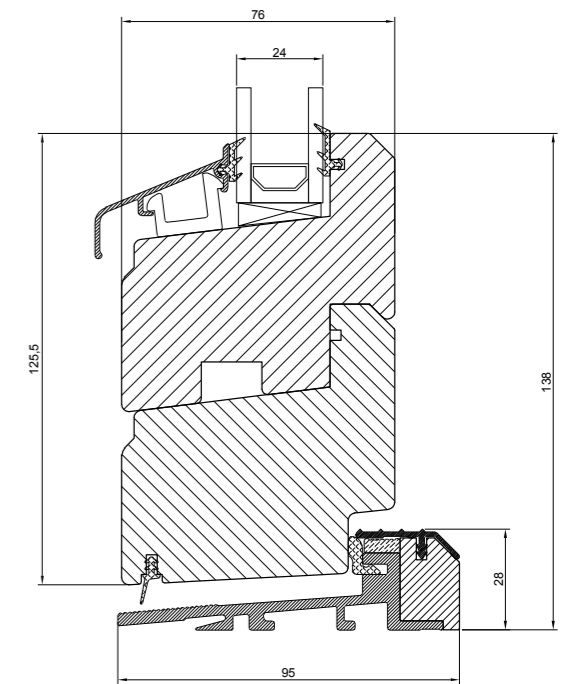
Norwood window and door systems are designed to provide outstanding solutions for the following market sectors:

- Offsite Construction
- Commercial Installations
- Home Improvement and Self Build Installations
- New-build Construction

### BALCONY DOOR TIMBER

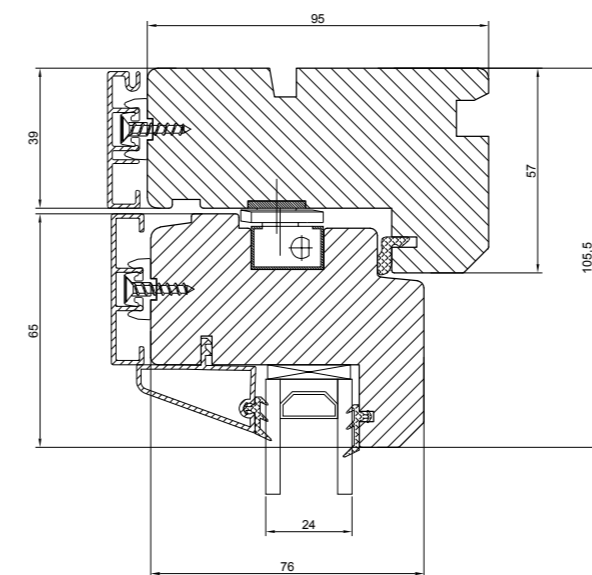


Head view

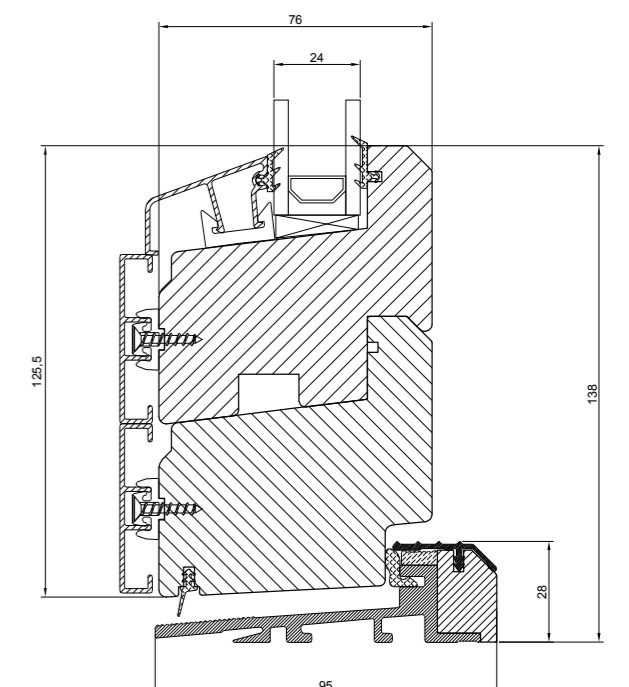


Low threshold option

### BALCONY DOOR WITH ALUCLAD



Head view



Low threshold option

## Norwood Windows

Tel - 01573 221 125

Email - [sales@norwood-windows.co.uk](mailto:sales@norwood-windows.co.uk)



[www.norwood-windows.co.uk](http://www.norwood-windows.co.uk)